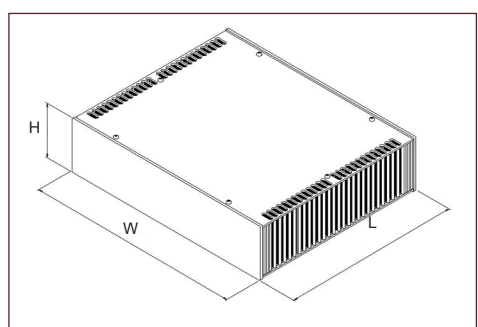


95 series heatsink aluminium enclosures

Product overview

- Stylish and elegantly designed with an anodized, brushed hairline finish
- Excellent cooling performance provided by the heatsink side plates
- Tough and robust enclosure made from extruded aluminium
- Simple and easy to assemble
- Available in 14 sizes and two colours
- 95 series has been designed to meet the requirements of IP40

SPECIFICATION	
Materials	Aluminium
Standard unit includes	Heatsink side plate x2 End panel x2 Top/bottom panel x2 Corner supports x4 Rubber feet M3 screws
Operating temperature	-20°C to 60°C
Protection class	95 series has been designed to meet the requirements of IP40



BLACK PART NO.	LENGTH	WIDTH	HEIGHT
CDM9501BK	231mm	230mm	44mm
CDM9506BK	330mm	330mm	44mm
CDM9511BK	231mm	280mm	70mm
CDM9516BK	330mm	430mm	70mm
CDM9520BK	330mm	280mm	88mm
CDM9523BK	231mm	430mm	88mm
CDM9526BK	330mm	230mm	99mm
CDM9529BK	231mm	330mm	99mm
CDM9535BK	231mm	280mm	132.5mm
CDM9540BK	330mm	430mm	132.5mm
CDM9544BK	330mm	280mm	149mm
CDM9546BK	330mm	330mm	149mm
CDM9550BK	330mm	230mm	177mm
CDM9554BK	330mm	330mm	177mm

SILVER PART NO.	LENGTH	WIDTH	HEIGHT
CDM9501SL	231mm	230mm	44mm
CDM9506SL	330mm	330mm	44mm
CDM9511SL	231mm	280mm	70mm
CDM9516SL	330mm	430mm	70mm
CDM9520SL	330mm	280mm	88mm
CDM9523SL	231mm	430mm	88mm
CDM9526SL	330mm	230mm	99mm
CDM9529SL	231mm	330mm	99mm
CDM9535SL	231mm	280mm	132.5mm
CDM9540SL	330mm	430mm	132.5mm
CDM9544SL	330mm	280mm	149mm
CDM9546SL	330mm	330mm	149mm
CDM9550SL	330mm	230mm	177mm
CDM9554SL	330mm	330mm	177mm

KEY FEATURES

Robust | Brushed hairline finish | Excellent cooling performance

